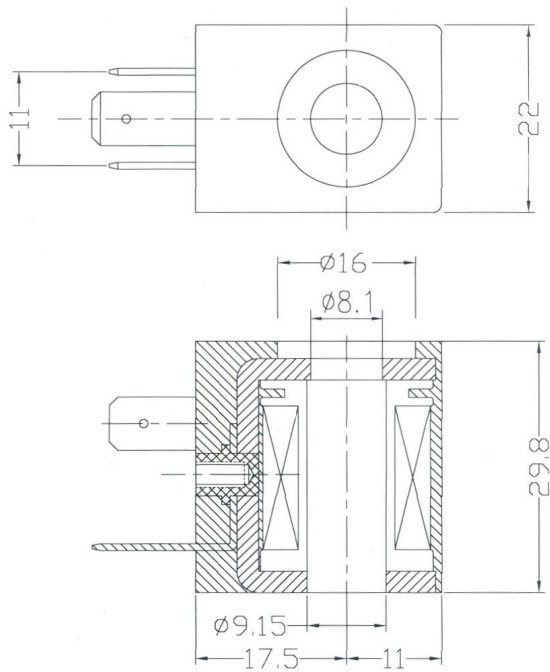
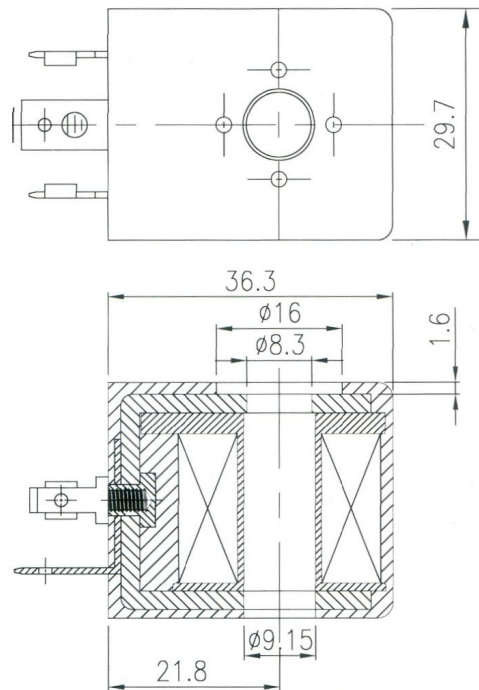




Type/型号	S-22A	S-29
Voltages/额定电压	12, 24VDC; 24, 110, 220VAC	
Dimension/尺寸(宽*高)	22mm*29mm	30mm*30mm
Aperture/孔径:	9.1*8.1 mm	
Power/功率:	DC 5W / AC 6VA (Max 8.5VA)	DC 10W / AC 8VA
Heat Resistance/耐热等级	Class F(155°C)	
Protection Class/保护等级	IP65	
Connection/连接方式	DIN43650B -11mm 间距	DIN43650 A



(S-22A)

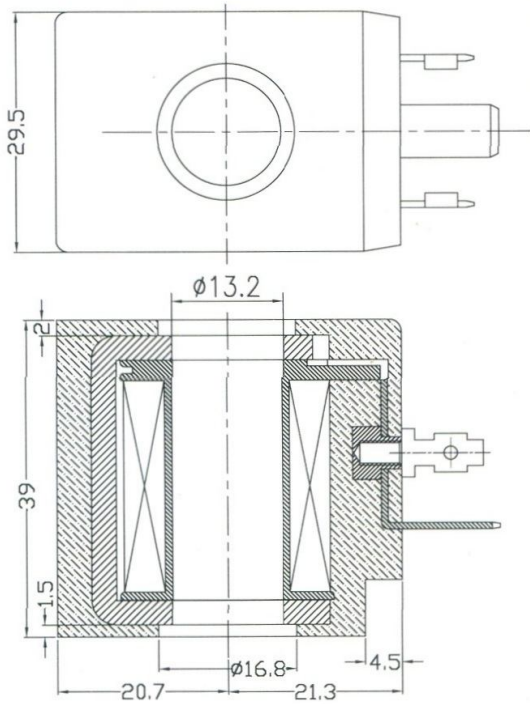


(S-29)

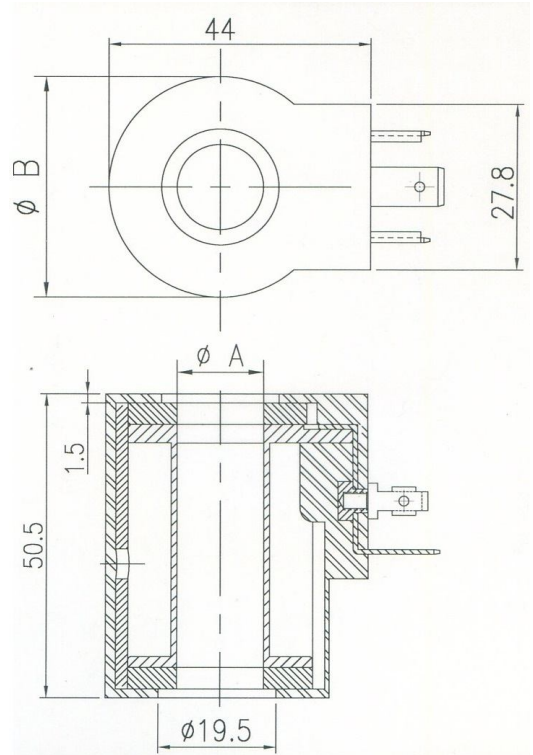
* Other specification , voltages , power, please call us/其它规格、电压、功率，请咨询我司



Type/型号	S-42	S-36/5	S-37
Voltages/额定电压	12, 24VDC; 24, 110, 220VAC		
Dimension/尺寸(宽*高)	39*29.5	44*27.8 mm	
Aperture/孔径:	13.2mm	14.2mm	16.2mm
Power/功率:	DC 9 W/ AC 14VA	DC 21W / AC 28VA	DC 26W / AC 28VA
Heat Resistance/耐热等级	Class F(155°C)		
Protection Class/保护等级	IP65		
Connection/连接方式	DIN43650 A		



(S-42)



(S-36/5 ; S-37)

Other specification ,voltages , power, please call us/其它规格、电压、功率，请咨询我司