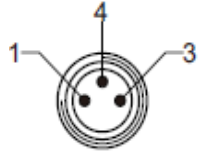
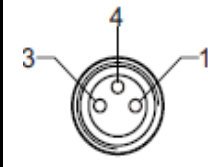
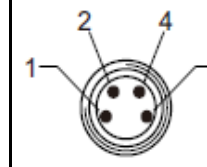
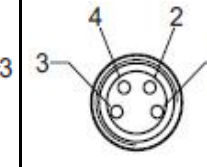
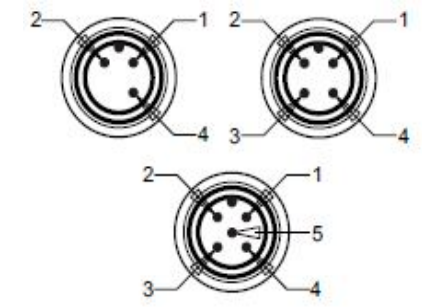
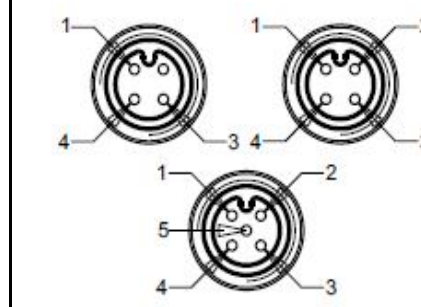


## Technical Features/技术信息

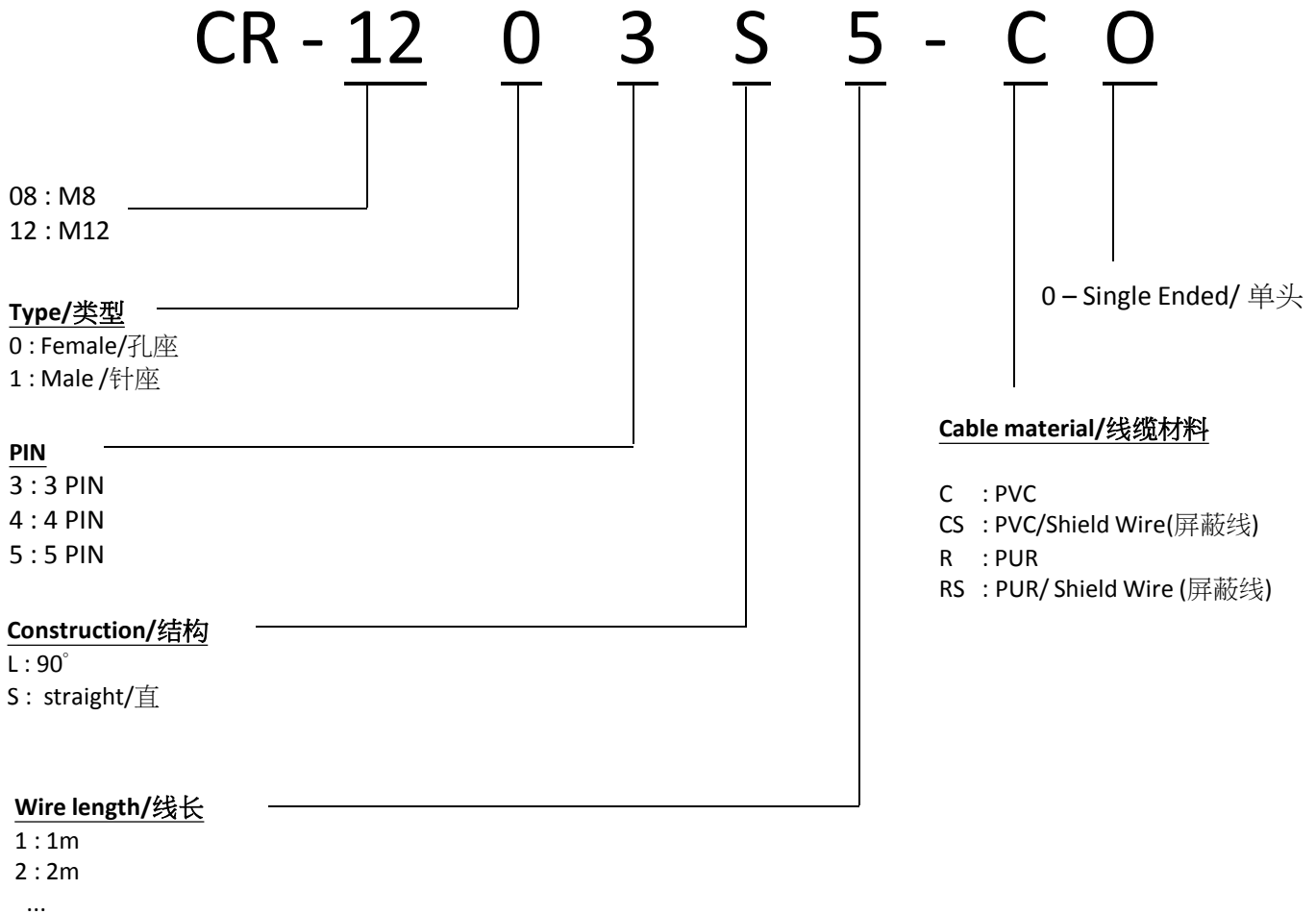
M 8				
	3PIN Male(公)	3PIN Female(母)	4PIN Male(公)	4PIN Female(母)
PIN OUT DIAGRAM/脚位图				
LEAD WIRE COLOR/脚位引出线颜色	PIN1: Brown(棕) PIN2: White(白) PIN3: Blue(蓝) PIN4: Black(黑)			
RATED VOLTAGE/ 额定电压	60V AC/DC		30V AC/DC	
RATED CURRENT/额定电流	3A			
VOLTAGE PROOF BETWEEN CONTACTS/导体间绝缘电压	1.0 KV			
VOLTAGE PROOF BETWEEN CONTACTS & METAL SCREW/导体与金属壳绝缘电压	0.85 KV			
M 12				
	3, 4, 5 PIN Male (公)		3, 4, 5 PIN Female (母)	
PIN OUT DIAGRAM/脚位图				
LEAD WIRE COLOR/脚位引出线颜色	PIN1: Brown(棕) PIN2: White(白) PIN3: Blue(蓝) PIN4: Black(黑) PIN5: Yellow-Green(黄绿)			
RATED VOLTAGE/ 额定电压	250V AC/DC			
RATED CURRENT/额定电流	4 A			
VOLTAGE PROOF BETWEEN CONTACTS/导体间绝缘电压	1.4 KV			
VOLTAGE PROOF BETWEEN CONTACTS & METAL SCREW/导体与金属壳绝缘电压	1.4 KV			
PIN COATING/ PIN 涂层	5 μm GOLD COATING/ 镀金5 μm			
CABLE TENSION FORCE ON CONNECTED/接合后引张力	30 N			
NUMBERS OF MECHANICAL OPERATION TIMES/ 可重复操作次数	Over 100 times / 超过100次			
TEMPERATURE RANGE/温度范围	-25° to 80°C			
PROTECTION/防护等级	IP 67 (IEC 60529)			
STANDARD / 执行标准	IEC 61076-2-101			

\* 其它规格和相关信息，请洽我司/Other specification and information, please contact us!

# M8 M12 connector / M8 M12 接头



## Order Information/订购信息



- \* Cable : Oil resistant, Fine-strand, Flexible/电缆防油、细线、易弯曲
- \* Special Type Order is Available / 特殊规格可订制
- \* Other specification and information, please contact us! /其它规格和相关信息，请洽我司

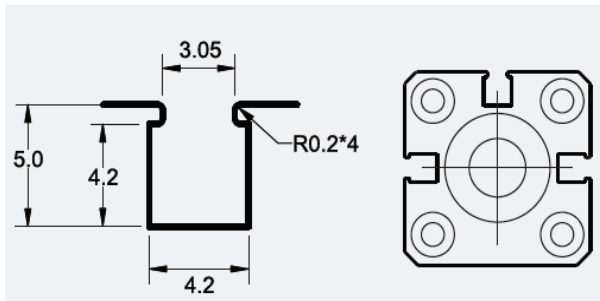


Technical Features/技术信息

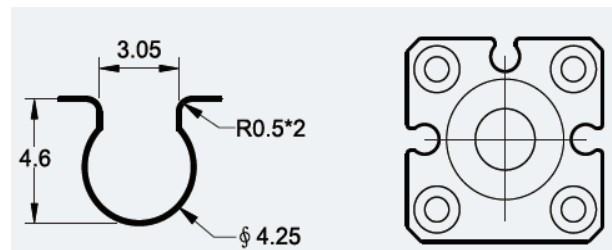
CR-06 , CR-07 Series				
	R SERIES	RD SERIES	N SERIES	P SERIES
SWITCHING TYPE/开关类型	SPST Normally Open SPST 常开		Solid State Output, Normally Open 电子式，常开	
SENSOR TYPE/感应类型	Reed Switch / 磁簧开关		NPN Current Sinking NPN 吸收电流	PNP Current Sourcing PNP 吸收电流
OPERATING VOLTAGE/工作电压	5~120V DC/AC	5~30V DC	5~30V DC	
MAX CURRENT/最大电流	100 mA	500 mA	200 mA	
SWITCHING RATING/开关额定值	10 W Max.	10 W Max.	6 W Max.	
INDICATOR/指示灯	Red	Dual Yellow	Red	Green
CABLE/电缆	2.8 $\phi$ ,2C,OIL RESISTANT PVC 灰色耐油PVC	2.8 $\phi$ ,3C,OIL RESISTANT PVC 黑色耐油PVC	2.8 $\phi$ ,3C,OIL RESISTANT PVC/黑色耐油PVC	
TEMPERATURE RANGE/温度范围	-10° to 70°C			
SWITCHING FREQUENCY/开关频率	1000 Hz			
PROTECTION/防护等级	IP 67 (EN60529)			

Groove Dimension / 适用气缸沟槽尺寸

CR-06 SERIES



CR-07 SERIES



\* Other specification and information, please contact us! /其它规格和相关信息，请洽我司